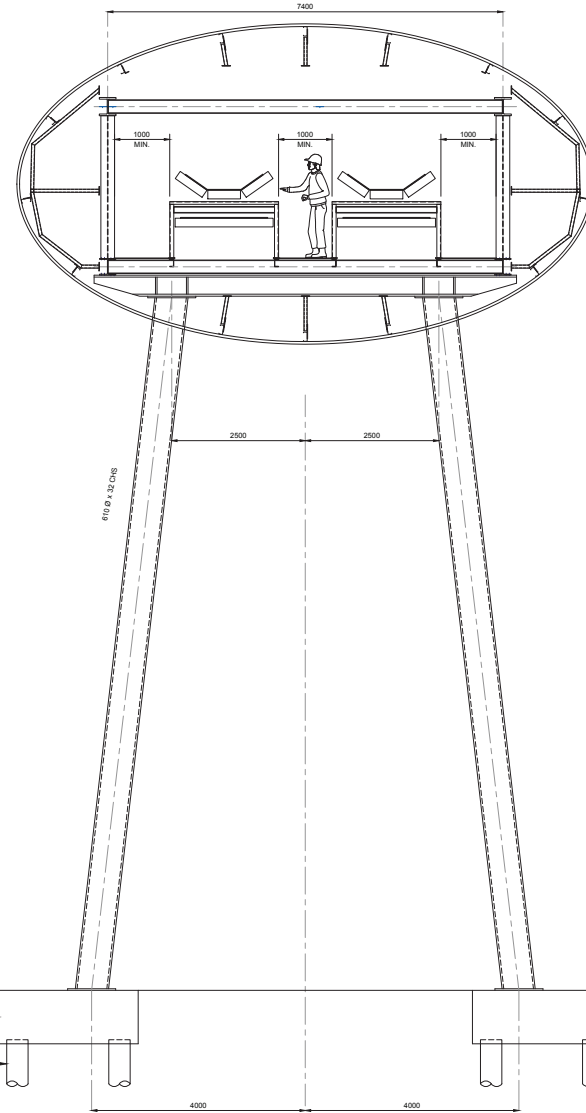
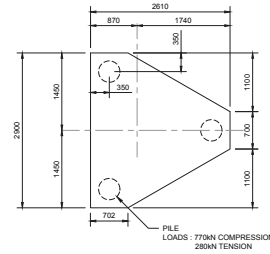


TYPE 3
1:50



TYPE 4
1:50



TYPICAL PLAN ON PILECAP
1:50

NOTES
1. TYPE 1 AND TYPE 2 ARE OPTIONS THAT WERE CONSIDERED AND REJECTED.

REV	DATE	DESCRIPTION	BY	CHK	APP
1	14/11/14	PLANNING ISSUE		LW	RWF RWP
0	14/11/14	PLANNING ISSUE		TF	RWF RWP

REVISIONS



PROJECT
YORK POTASH

TITLE
**THE YORK POTASH
HARBOUR FACILITIES ORDER 201X
CONVEYOR TYPOLOGIES
REGULATION 5(2)(a)
DOCUMENT 3.10**

HASKONINGDHV UK LTD
MARITIME & WATERWAYS
Sharncliffe House
Metheringham, Lincoln
Newarkshire LN11 8EE
44 (0) 151 211 1300 Telephone
44 (0) 151 211 1313 Fax
info@haskoningdhv.com E-mail
www.haskoningdhv.com Website

DRAWN	LW	CHECKED	DGB	PASSED	RWPP
DATE	DEC '14	CLIENT'S REF.			

SCALE AT 1:50 AUTOLOAD REF: PB1586-SK601

DRAWING No.	REVISION
PB1586-SK601	1