

The Lake Lothing (Lowestoft) Third Crossing Order 201[*]



Lake Lothing
**THIRD
CROSSING**

Document SCC/LLTC/EX/122: General Arrangement Plans P01 (Sheet 1 of 2)

Planning Act 2008

The Infrastructure Planning (Applications: Prescribed Forms and Procedure) Regulations 2009

The Infrastructure Planning (Examination Procedure) Rule 2010

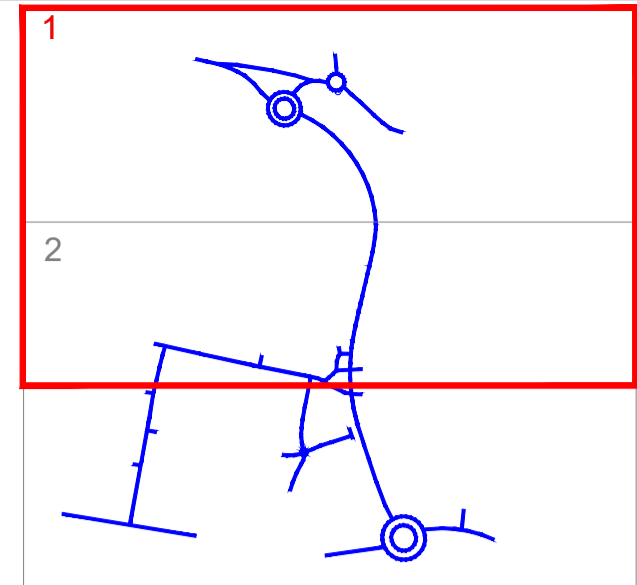
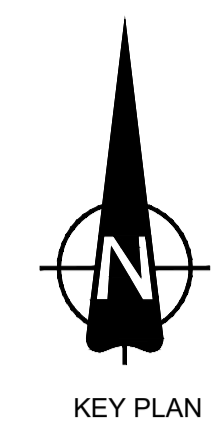
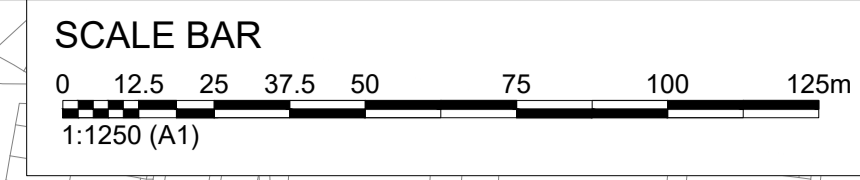
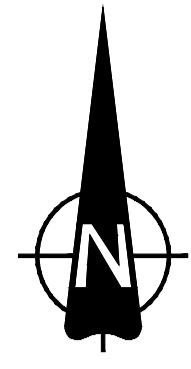
PINS Reference Number: TR010023

Author: Suffolk County Council

Document Reference: SCC/LLTC/EX/122

Date: May 2019

This page is intentionally left blank



- KEY**
- ORDER LIMITS
 - CARRIAGEWAY
 - HARDENED VERGE OR SPLITTER ISLAND
 - GRASSED AREA / VERGE
 - EXISTING BUS STOP TO BE RELOCATED
 - LOCATION OF PROPOSED RELOCATED BUS STOP
 - PROPOSED NEW CROSSING
 - EARTHWORKS
 - DRAINAGE POND
 - LANDSCAPING AREAS
 - LAKE LOTHING
 - PROPOSED NON-MOTORISED USER ROUTE
 - EXISTING NON-MOTORISED USER ROUTE

- NOTES**
1. THIS PLAN SHOULD BE READ ALONGSIDE OTHER PLANS AND DOCUMENTS IN THE DEVELOPMENT CONSENT ORDER APPLICATION.
 2. THE DESIGN AND LOCATION OF ELEMENTS OF THE SCHEME ARE SHOWN HERE FOR ILLUSTRATIVE PURPOSES ONLY AND WILL BE SUBJECT TO DETAILED DESIGN DEVELOPMENT IN ACCORDANCE WITH THE TERMS OF THE DEVELOPMENT CONSENT ORDER.
 3. THE REFERENCE DESIGN FOR LANDSCAPING IS SHOWN ON THE LANDSCAPING PLANS.

Mapping reproduced by permission of Ordnance Survey on behalf of HMSO.
 © Crown copyright and database rights 2017. All rights reserved.
 Ordnance Survey licence number 100023395
 Contains OS data © Crown copyright and database rights 2017.

P02	JC	PC	PC	26/04/2019
FOR DCO EXAMINATION - DEADLINE 9				
P01	JC	PC	PC	21/12/2018
FOR DCO EXAMINATION - DEADLINE 3				
P00	JC	PC	PC	13/06/2018
FOR DCO SUBMISSION				

REVISION	DRAWN	CHECKED	APPROVED	DATE
DESCRIPTION				



PROJECT TITLE
 Lake Lothing
THIRD CROSSING

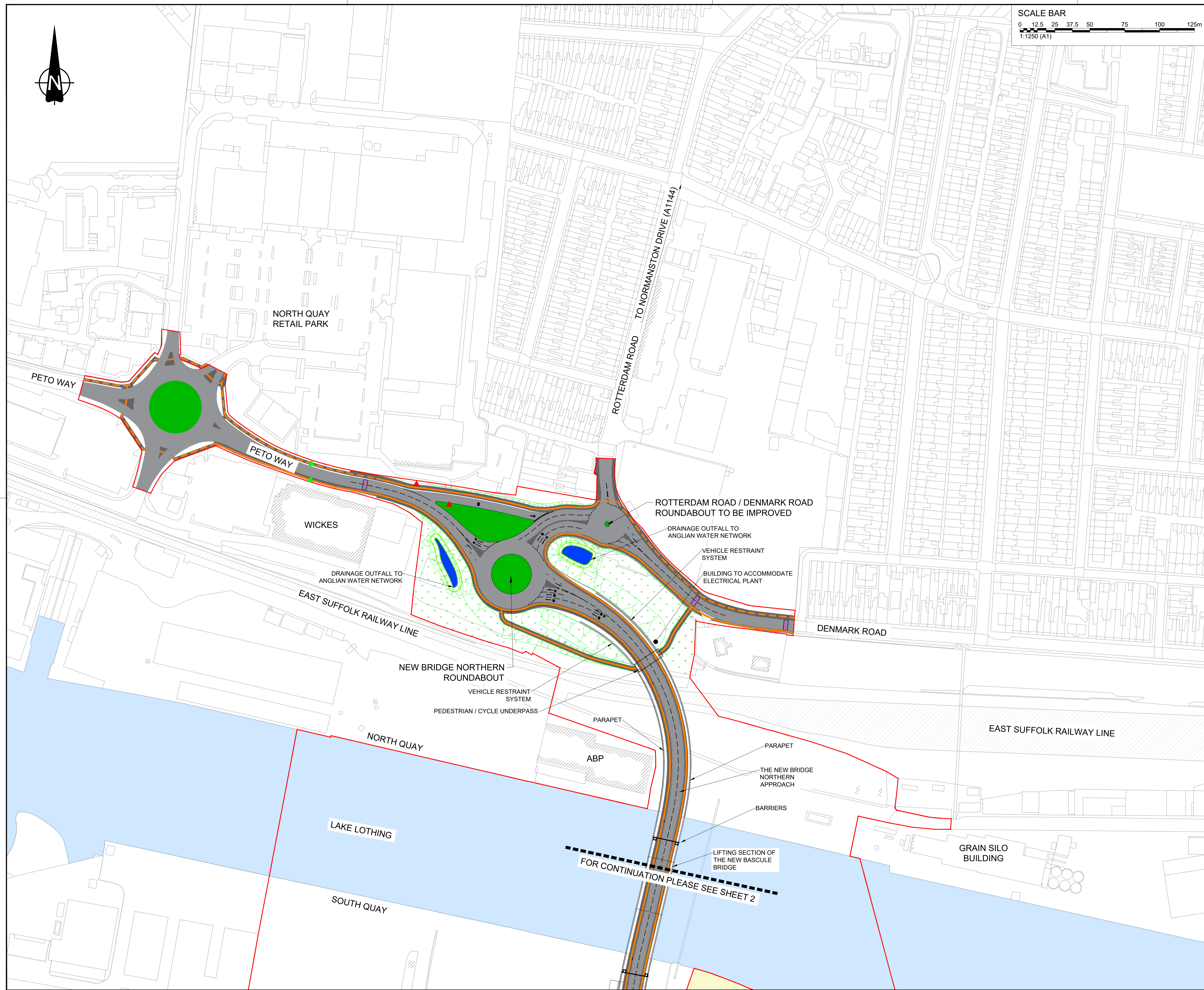
DRAWING TITLE
 GENERAL ARRANGEMENT PLANS
 REGULATION 5(2)(o)
 SHEET 1 OF 2

DRAWING STATUS
 FOR DCO EXAMINATION

DRAWN	CHECKED	APPROVED	AUTHORISED	SUITABILITY
JC	PC	PC	JB	S4

SCALE @ A1 SIZE	DATE	REVISION
1:1250	26/04/2019	P02

DRAWING NUMBER			
Project	Originator	Volume	
1069948-WSP-GEN-LL-DR-CH-0101			
Location	Type	Role	Number



FOR CONTINUATION PLEASE SEE SHEET 2