

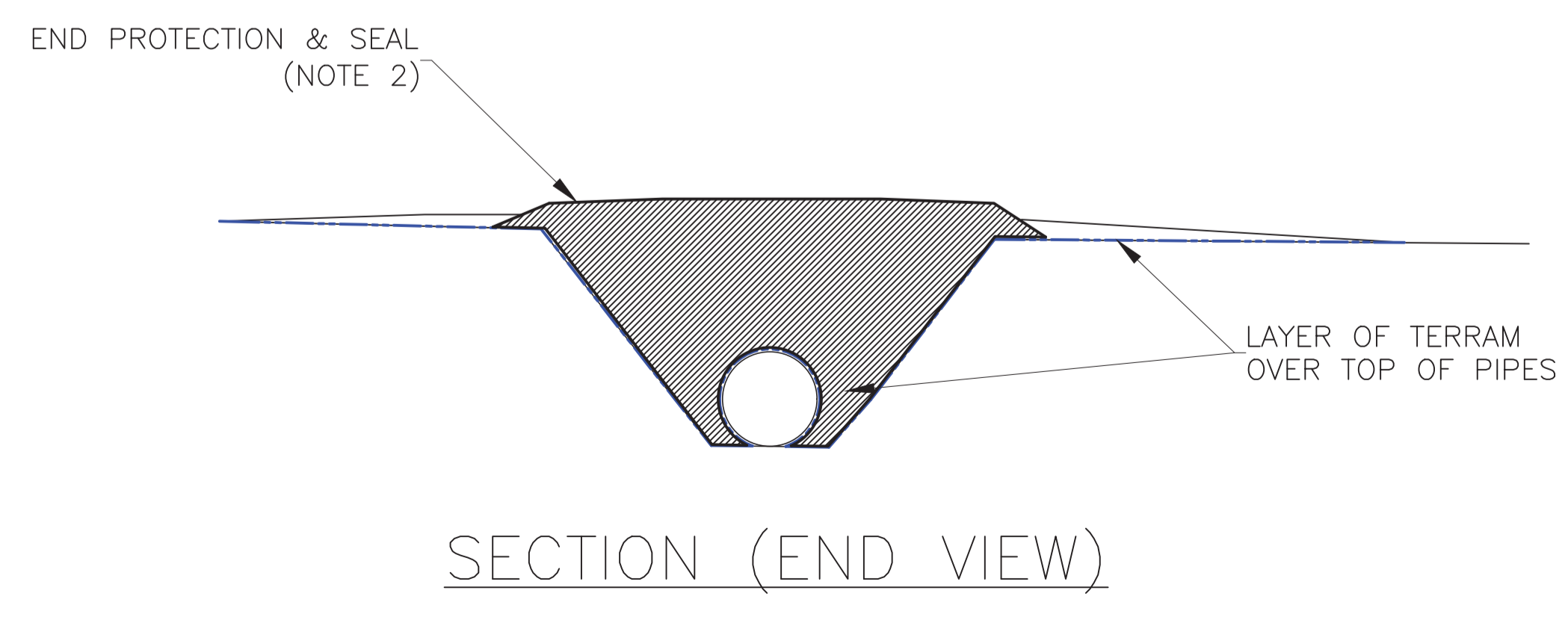
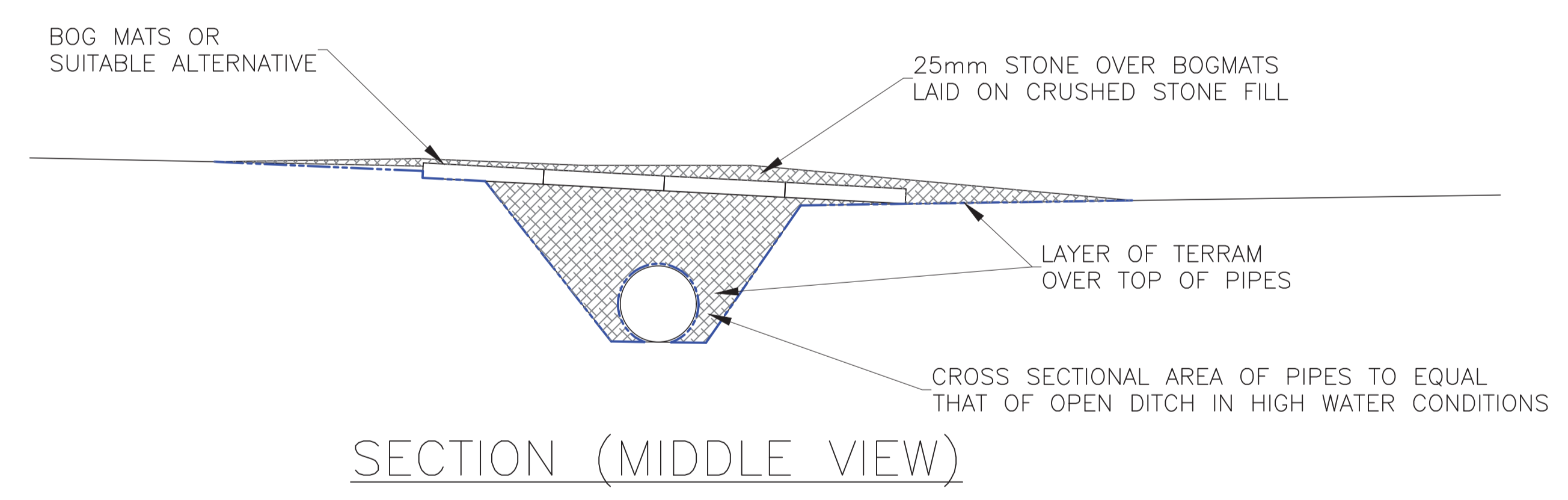
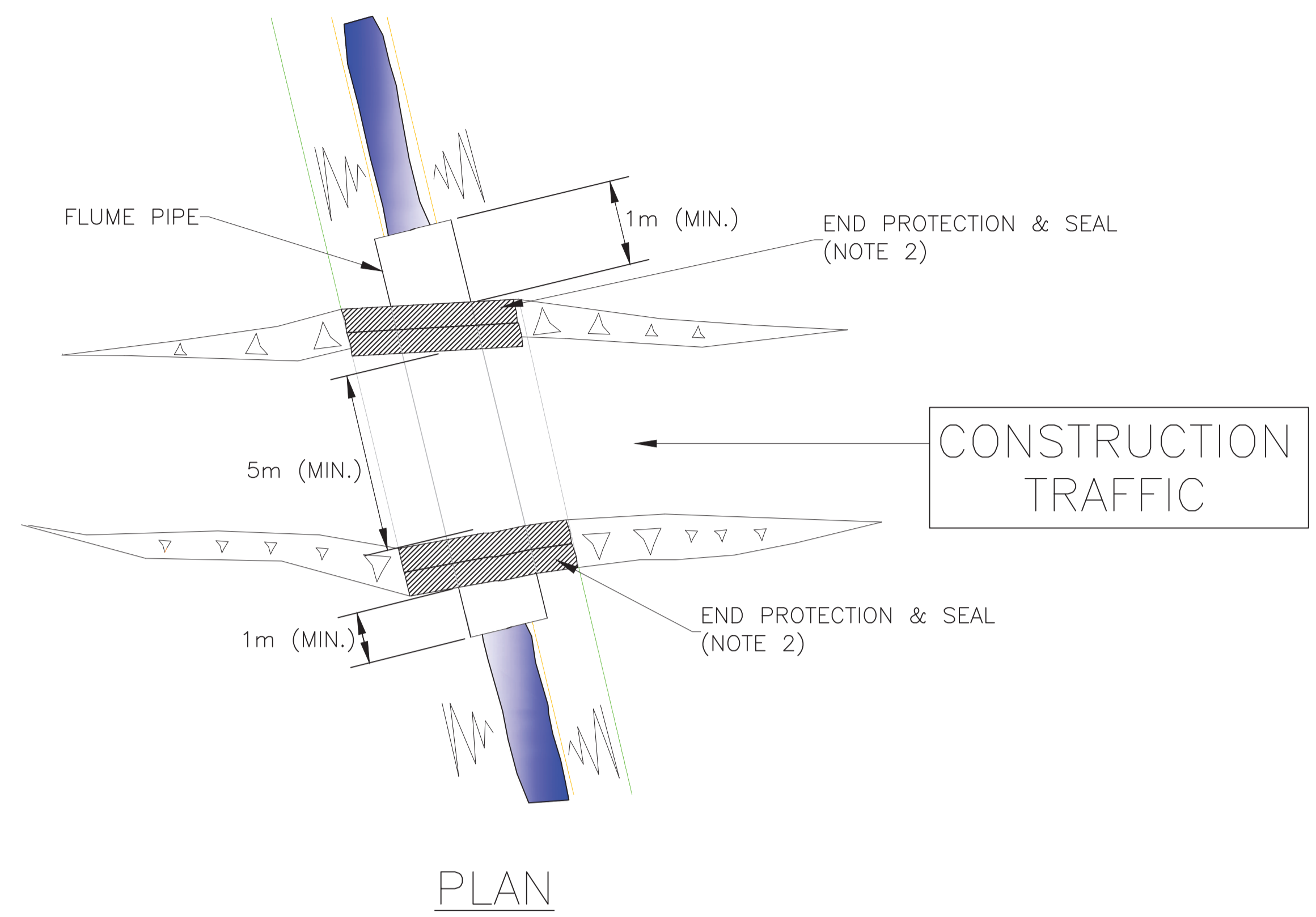


Viking CCS pipeline

## 4.18 Temporary Flume Design

Document Reference: EN070008/APP/4.18

Applicant: Chrysaor Production (U.K.) Limited,  
a Harbour Energy Company  
PINS Reference: EN070008  
Planning Act 2008 (as amended)  
The Infrastructure Planning (Applications: Prescribed Forms  
and Procedure) Regulations 2009 - Regulation 5(2)(o)  
Date: October 2023



- GENERAL NOTES**
1. THIS IS ONLY A TYPICAL DRAWING, TO BE SUPERSEDED WITH SITE SPECIFIC DETAIL (AS REQUIRED) DURING THE FEED OR DETAIL DESIGN PHASE OF THE PROJECT.
  2. BOTH ENDS OF THE FLUME PIPE, STARTING AT THE UPSTREAM, WILL BE SEALED TO THE BANKS USING A CLAY PLUG OR A PROPRIETARY SYSTEM SUCH AS "AQUADAM" TO ENSURE ALL THE FLOW IS DIRECTED THROUGH THE FLUME PIPE.

Rev	Rev. Date	Purpose of Revision	Drawn	Checkd	Apprv'd
2	18/07/2023	RE-ISSUED FOR INFORMATION	GS	GM	MH
1	12/07/2023	ISSUED FOR INFORMATION	GS	GM	MH
0	07/06/2023	ISSUED FOR REVIEW	TD	GM	MH

Penspen  
c/o Dar Al-Handasah  
150 Holborn  
London  
EC1N 2NS  
England, UK.

Client  
Chrysaor Production (UK) Limited  
23 Lower Belgrave Street  
London SW1W 0NR  
United Kingdom

Project  
**VIKING CCS PIPELINE**

Drawing title  
**TYPICAL FLUMED CROSSING DETAIL**  
Regulation 5.2 (o)  
Application Document Reference 4.18  
(Sheet 1 of 1)

Drawing status  
**RE-ISSUED FOR INFORMATION**

Scale	NOT TO SCALE	DO NOT SCALE
Sheet Number	01 / 01	Original Sheet Size A1
Penspen Drawing Number	20428-PL-PLN-000-0005	Rev 2
Viking CCS Pipeline Drawing Number	PEN-GEN-P-XX-X-EN-108-00005-00	Rev D2

INFORMATION CONTAINED IN THIS DOCUMENT IS CONFIDENTIAL AND PROPRIETARY TO VIKING CCS PIPELINE OR ITS AFFILIATES. ANY REPRODUCTION OR DISTRIBUTION OF THIS DOCUMENT WITHOUT THE WRITTEN CONSENT OF VIKING CCS PIPELINE OR PENSPEN IS STRICTLY PROHIBITED. THE INFORMATION CONTAINED HEREIN IS FOR REFERENCE ONLY. VIKING CCS PIPELINE AND/OR PENSPEN DO NOT MAKE ANY REPRESENTATION OR WARRANTY AND SHALL NOT BE LIABLE IN ANY WAY WITH RESPECT TO THE INFORMATION CONTAINED HEREIN OR THE USE THEREOF. THE INFORMATION SHALL NOT BE REPRODUCED, COPIED, LOANED, ENRICHED, DISSEMINATED OR USED IN WHOLE OR IN PART WITHOUT THE PRIOR WRITTEN CONSENT OF VIKING CCS PIPELINE OR PENSPEN. THE DOCUMENT AND ANY COPIES THEREOF SHALL BE RETURNED OR DESTROYED ON REQUEST OF VIKING CCS PIPELINE OR PENSPEN.