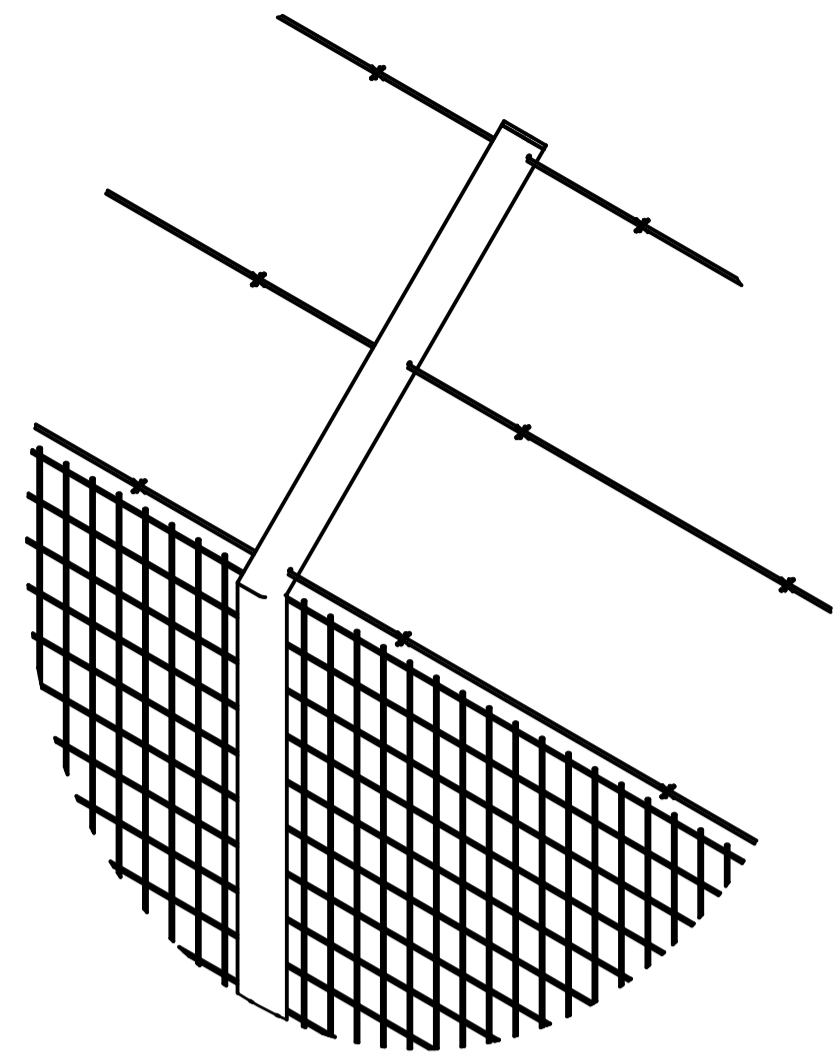


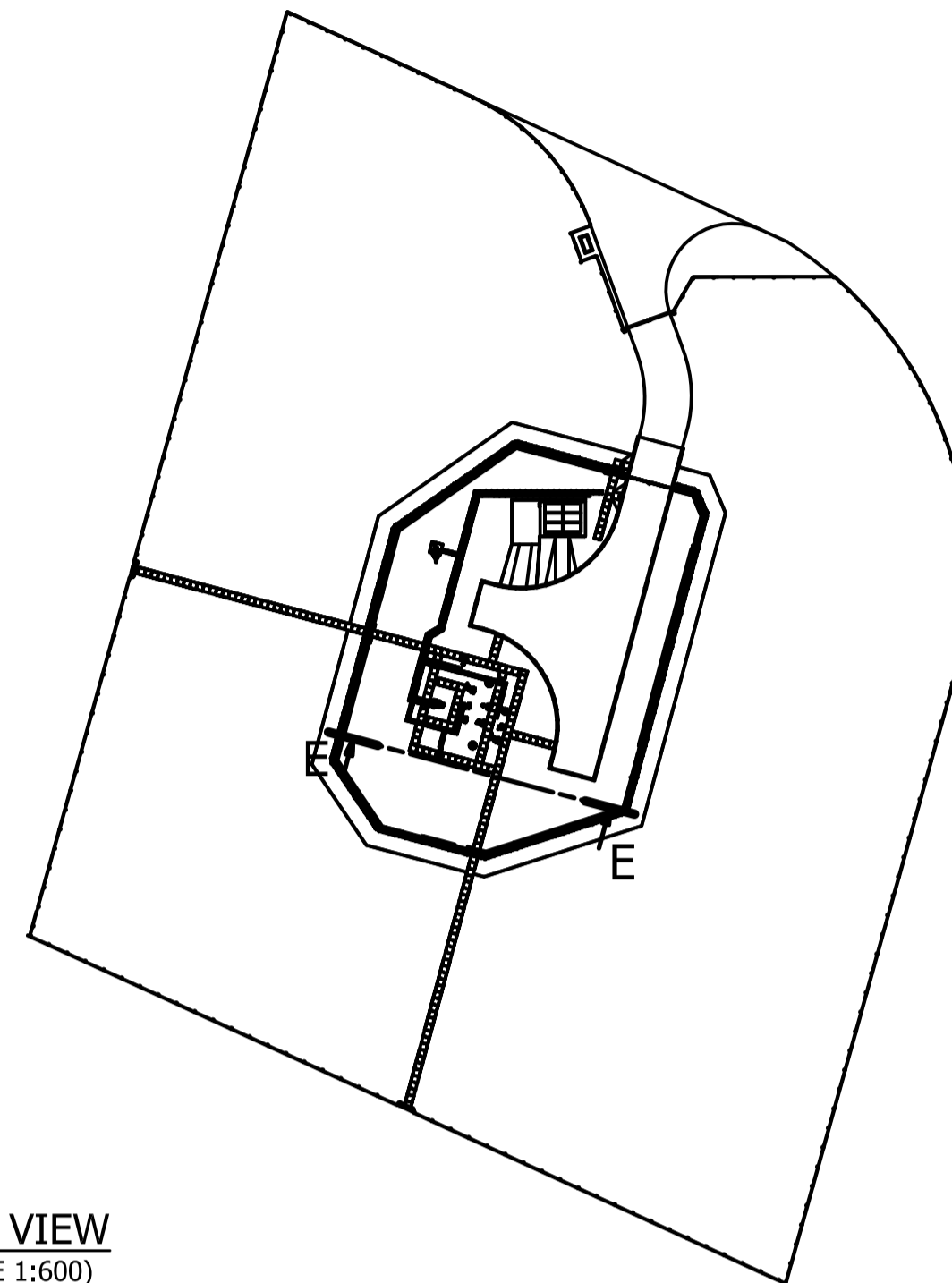
DRG No 10-2574-PLN-01-0322



DETAIL OF WELD MESH SECURITY FENCE
(SCALE 1:15)

NOTE:

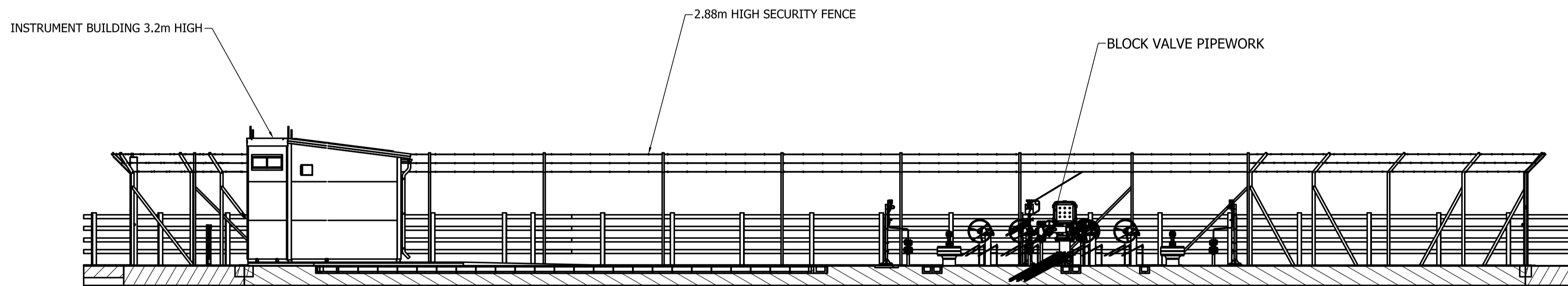
FOR CLARITY THE WELD MESH IS EXCLUDED FROM THE VIEWS BELOW



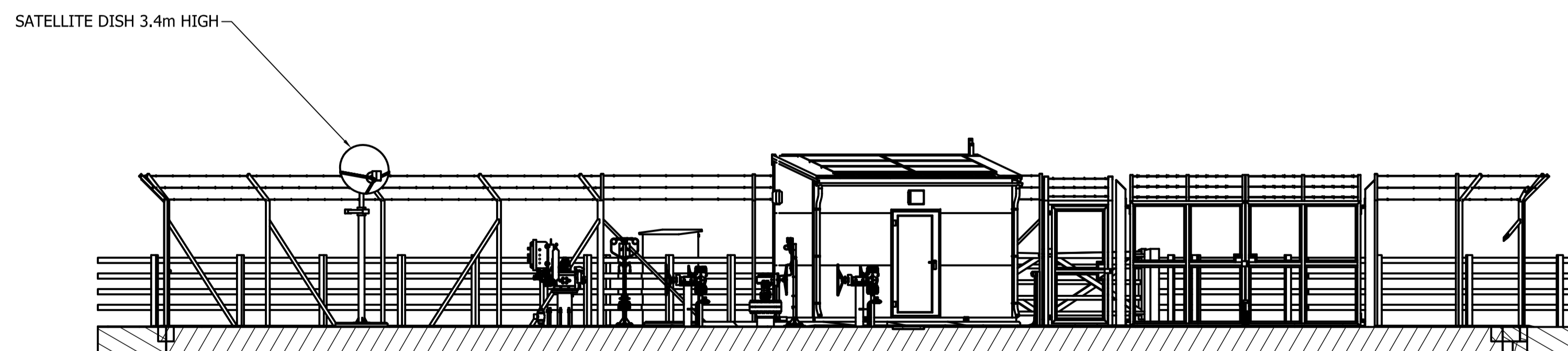
PLAN VIEW
(SCALE 1:600)

0 5m 10m

SCALE 1:75 @ A1



ELEVATION SECTION THROUGH F-F
(SCALE 1:75)



ELEVATION SECTION THROUGH E-E
(SCALE 1:75)

NOTES:

1. APPROPRIATE PLANTING LANDSCAPING WILL BE PROVIDED TO SCREEN THE SITE FROM PUBLIC VIEW, SEE PLANTING DRAWING 10-2574-PLN-01-0330.
2. ALL ABOVE GROUND PIPEWORK, VALVES AND INSTRUMENT BUILDING TO BE PAINTED OLIVE GREEN.
3. SECURITY FENCE 2.88m HIGH, GALVANISED STEEL POSTS WITH WELD MESH INFILL, FENCE TOPPED WITH THREE STANDS OF BARBED WIRE.
4. INSTALLATION GROUND FINISHED WITHIN SECURITY FENCE WILL BE STONE CHIPPINGS.
5. FOR CLARITY PLANTING AND LANDSCAPING NOT SHOWN ON THESE ELEVATIONS FOR TYPICAL TREE MIX AND SHRUB MIX CANOPY HEIGHTS SEE OTHER ELEVATION DRAWINGS 10-2574-GA-01-0326 AND 10-2574-GA-01-0327.
6. ALL SHOWN DIMENSIONS ARE MAXIMA.

CLIENT



National Grid Carbon LTD
31 Homer Road
Solihull
West Midlands
B91 3LT

DRAWN Steve Rocks
DATE JUNE 2014

Tel : 01530 563000
Email: info@premetechltd.com
www.premetechltd.com

PROJECT
**YORKSHIRE AND HUMBER
CARBON CAPTURE AND STORAGE
CROSS COUNTRY PIPELINE**

TITLE
**SKERNE BLOCK VALVE
ELEVATIONS (OPERATIONAL SITE)
REGULATION 5(2)(0)
PINS REFERENCE No: EN070001
DOCUMENT REFERENCE 2.50**

SHEET 1 OF 1
SCALE SEE DRG
DRG No 10-2574-PLN-01-0322
ISSUE B

Co-financed by the European Union's European Energy Programme for Recovery.

AMENDMENT					AMENDMENT					AMENDMENT					AMENDMENT					AMENDMENT					AMENDMENT					AMENDMENT					© National Grid Carbon Limited (2014) All rights reserved. No part of this work may be reproduced or used in any form (including storage by electronic means) without the written permission of National Grid Carbon Limited. Warning: Any unauthorised act in relation to the work may result in both a civil claim for damages and criminal prosecution					
ISSUE	DATE	DRAWN	CHECKED	APPROVED	ISSUE	DATE	DRAWN	CHECKED	APPROVED	ISSUE	DATE	DRAWN	CHECKED	APPROVED	ISSUE	DATE	DRAWN	CHECKED	APPROVED	ISSUE	DATE	DRAWN	CHECKED	APPROVED	ISSUE	DATE	DRAWN	CHECKED	APPROVED	ISSUE	DATE	DRAWN	CHECKED	APPROVED		ISSUE	DATE	DRAWN	CHECKED	APPROVED
																				B					A															
																				MAR 2015					JUNE 2014															
																				DE					S.ROCKS					IB					JB					
																				DEADLINE 4 SUBMISSION					DCO SUBMISSION															