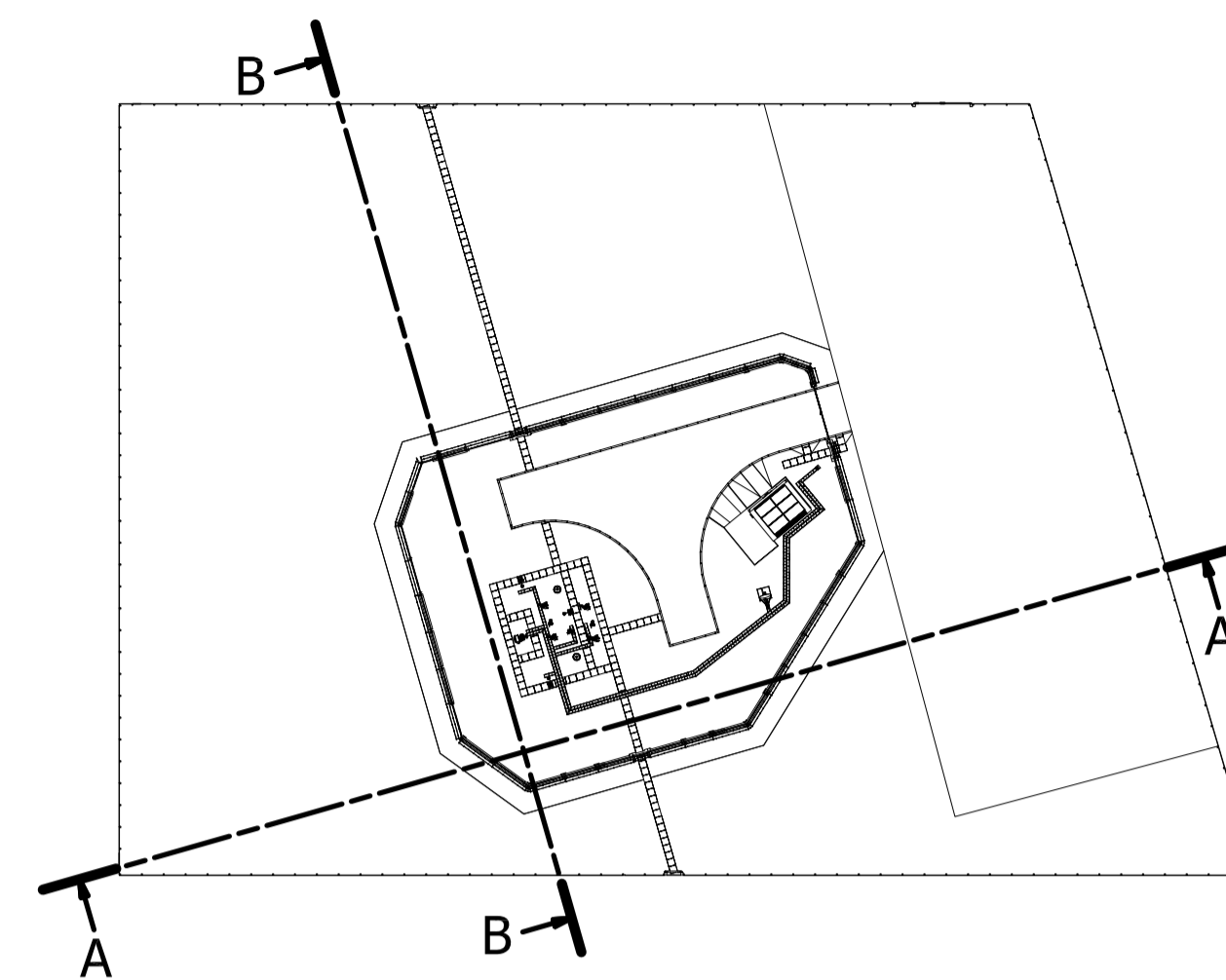
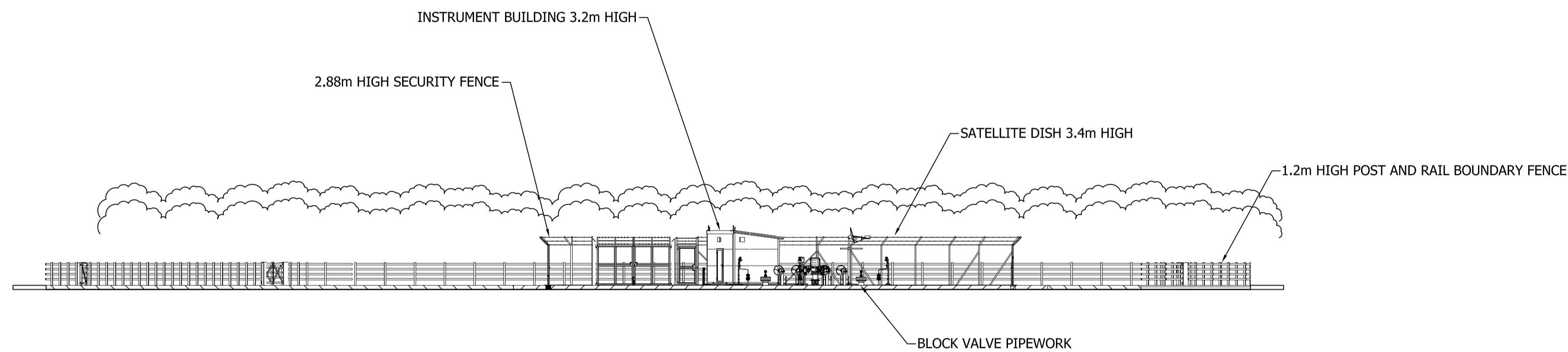


0 5m 10m
SCALE 1:200 @ A1



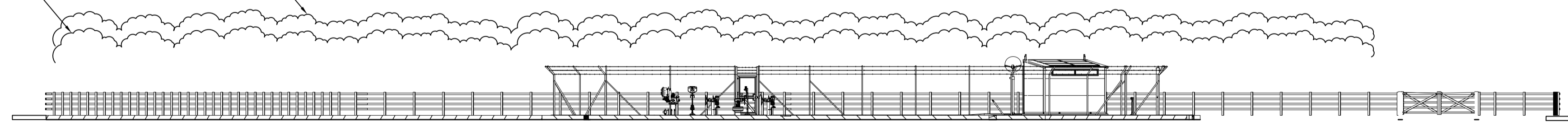
PLAN VIEW
(SCALE 1:600)



ELEVATION SECTION THROUGH B-B
(SCALE 1:200)

For illustrative purposes only, a typical shrub mix canopy height assuming 15 years' growth is shown at 5 metres high.

For illustrative purposes only, a typical tree canopy height assuming 15 years' growth is shown at 6 metres high.



ELEVATION SECTION THROUGH A-A
(SCALE 1:200)

NOTES:

1. ALL SHOWN DIMENSIONS ARE MAXIMA.

CLIENT



National Grid Carbon LTD
31 Homer Road
Solihull
West Midlands
B91 3LT

DRAWN	Steve Rocks
DATE	JUNE 2014
Tel : 01530 563000 Email: info@premechtd.com www.premechtd.com	

PROJECT
YORKSHIRE AND HUMBER
CARBON CAPTURE AND STORAGE
CROSS COUNTRY PIPELINE

TITLE TOLLINGHAM BLOCK VALVE
ELEVATIONS (N+E)
REGULATION 5(2)(0)
PINS REFERENCE No: EN070001
DOCUMENT REFERENCE 2.33



Co-financed by the European Union's European Energy Programme for Recovery.

© National Grid Carbon Limited (2014)
All rights reserved. No part of this work may be reproduced or used in any form (including storage by electronic means) without the written permission of National Grid Carbon Limited.
Warning: Any unauthorised act in relation to the work may result in both a civil claim for damages and criminal prosecution

ISSUE	DATE	DRAWN	CHECKED	APPROVED	ISSUE	DATE	DRAWN	CHECKED	APPROVED	ISSUE	DATE	DRAWN	CHECKED	APPROVED	ISSUE	DATE	DRAWN	CHECKED	APPROVED	ISSUE	DATE	DRAWN	CHECKED	APPROVED
AMENDMENT					AMENDMENT					AMENDMENT					AMENDMENT					AMENDMENT				
										B					A									
										MAR 2015					JUNE 2014									
										DE					S.ROCKS					IB JB				
										DEADLINE 4 SUBMISSION					DCO SUBMISSION									

SHEET	1	OF	1	SCALE	SEE DRG	A1	
DRG No	10-2574-GA-01-0320					ISSUE	B