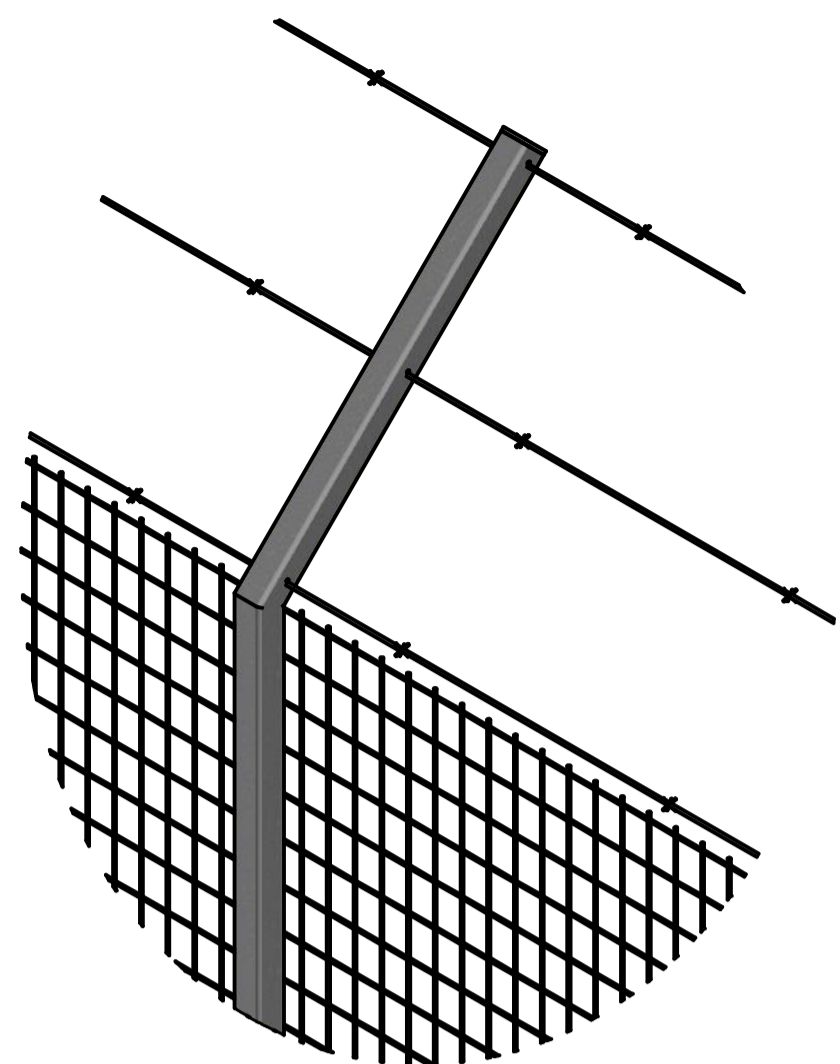


0 5m 10m



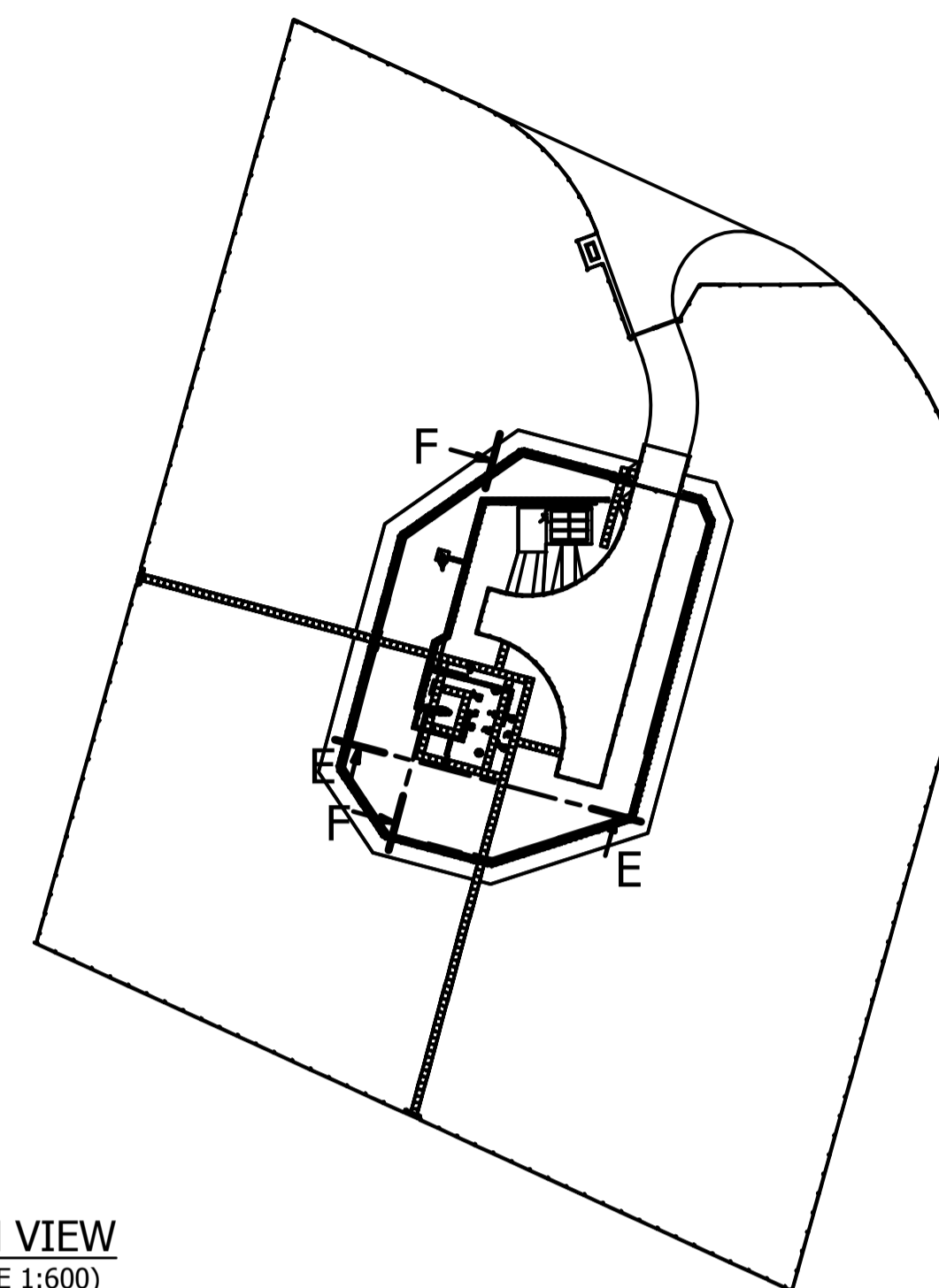
SCALE 1:75 @ A1



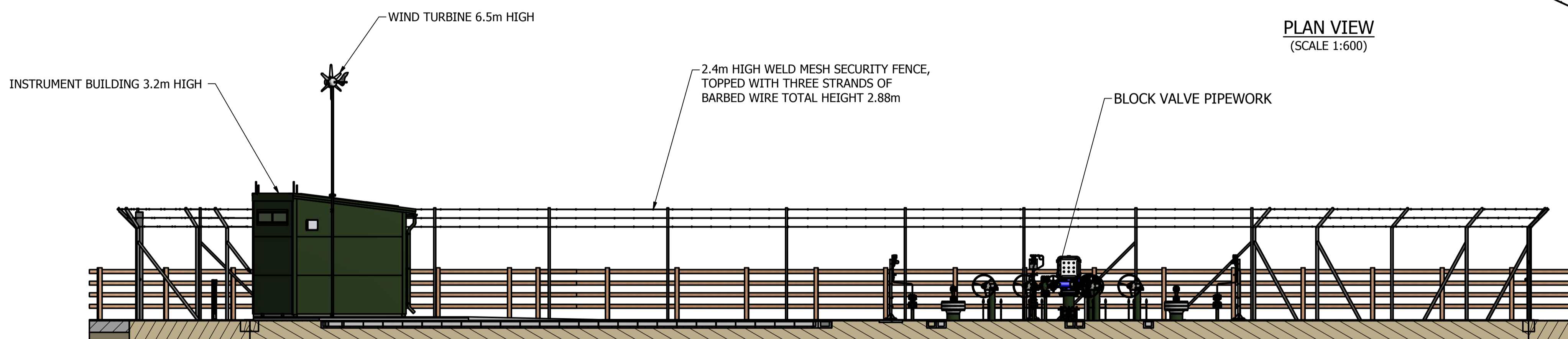
DETAIL OF WELD MESH SECURITY FENCE
(SCALE 1:15)

NOTE:

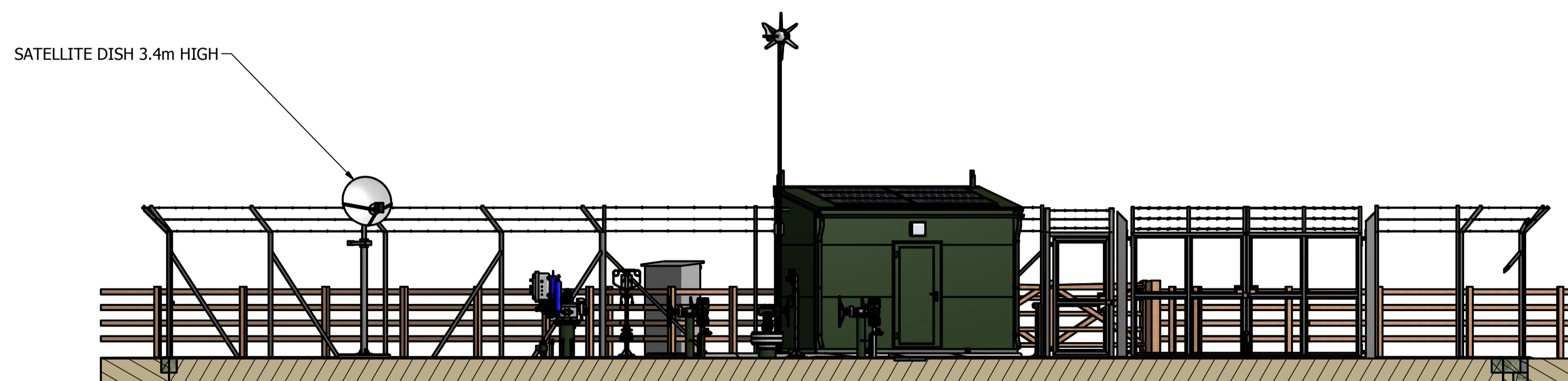
FOR CLARITY THE WELD MESH IS EXCLUDED FROM THE VIEWS BELOW



PLAN VIEW
(SCALE 1:600)



ELEVATION SECTION THROUGH F-F
(SCALE 1:75)



ELEVATION SECTION THROUGH E-E
(SCALE 1:75)

NOTES:

1. APPROPRIATE PLANTING LANDSCAPING WILL BE PROVIDED TO SCREEN THE SITE FROM PUBLIC VIEW, SEE PLANTING DRAWING 10-2574-PLN-01-0330.
2. ALL ABOVE GROUND PIPEWORK, VALVES AND INSTRUMENT BUILDING TO BE PAINTED OLIVE GREEN.
3. SECURITY FENCE TO BE 2.4m HIGH CONSTRUCTED OF GALVANISED STEEL POSTS WITH WELD MESH INFILL. FENCE TOPPED WITH THREE STANDS OF BARBED WIRE.
4. INSTALLATION GROUND FINISHED WITHIN SECURITY FENCE WILL BE STONE CHIPPINGS.
5. FOR CLARITY PLANTING AND LANDSCAPING NOT SHOWN ON THESE ELEVATIONS FOR TYPICAL TREE MIX AND SHRUB MIX CANOPY HEIGHTS SEE OTHER ELEVATION DRAWINGS 10-2574-GA-01-0326 AND 10-2574-GA-01-0327.
6. ALL SHOWN DIMENSIONS ARE APPROXIMATE.

CLIENT

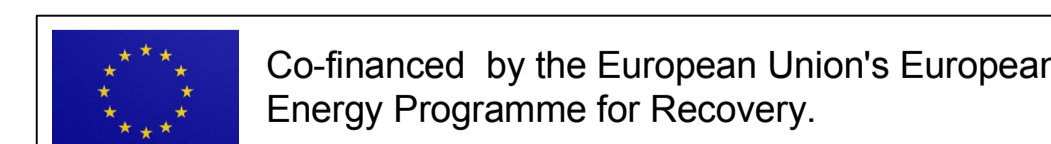


National Grid Carbon LTD
31 Homer Road
Solihull
West Midlands
B91 3LT

DRAWN	Steve Rocks
DATE	JUNE 2014
Tel : 01530 563000 Email: info@premtchtd.com www.premtechtd.com	

PROJECT YORKSHIRE AND HUMBER
CARBON CAPTURE AND STORAGE
CROSS COUNTRY PIPELINE

TITLE SKERNE BLOCK VALVE
ELEVATIONS (OPERATIONAL SITE)
REGULATION 5(2)(0)
PINS REFERENCE No: EN070001
DOCUMENT REFERENCE 2.50



Co-financed by the European Union's European Energy Programme for Recovery.

ISSUE	DATE	DRAWN	CHECKED	APPROVED	ISSUE	DATE	DRAWN	CHECKED	APPROVED	ISSUE	DATE	DRAWN	CHECKED	APPROVED	ISSUE	DATE	DRAWN	CHECKED	APPROVED	
AMENDMENT					AMENDMENT					AMENDMENT					AMENDMENT					

ISSUE	DATE	DRAWN	CHECKED	APPROVED
A	JUNE 2014	S.ROCKS	IB	JB
DCO SUBMISSION				

© National Grid Carbon Limited (2014)
All rights reserved. No part of this work may be reproduced or used in any form (including storage by electronic means) without the written permission of National Grid Carbon Limited.
Warning: Any unauthorised act in relation to the work may result in both a civil claim for damages and criminal prosecution

SHEET	1	OF	1	SCALE	SEE DRG	A1	
DRG No	10-2574-PLN-01-0322					ISSUE	A