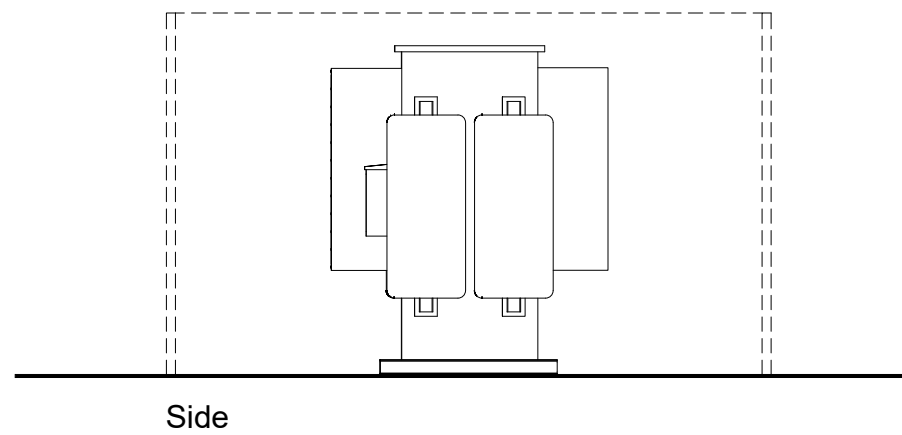
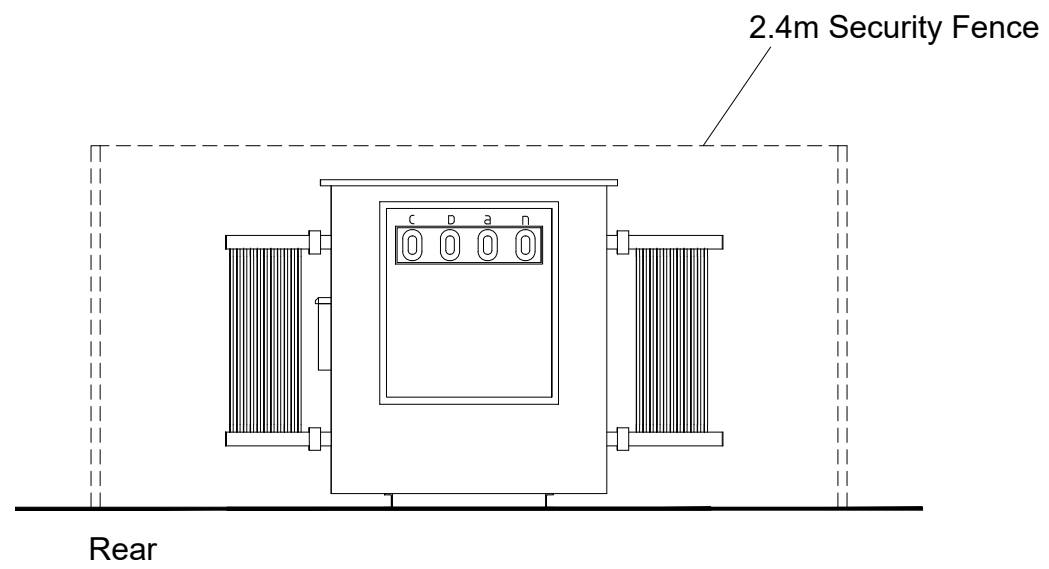
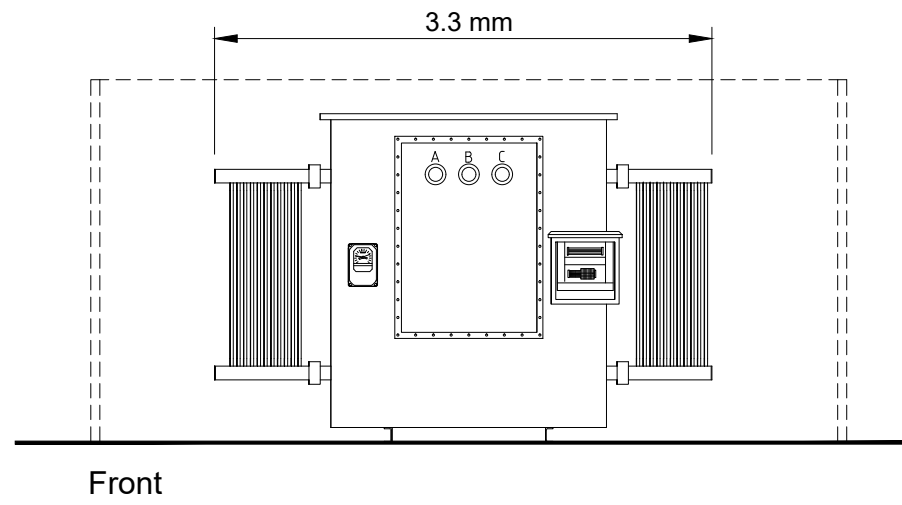
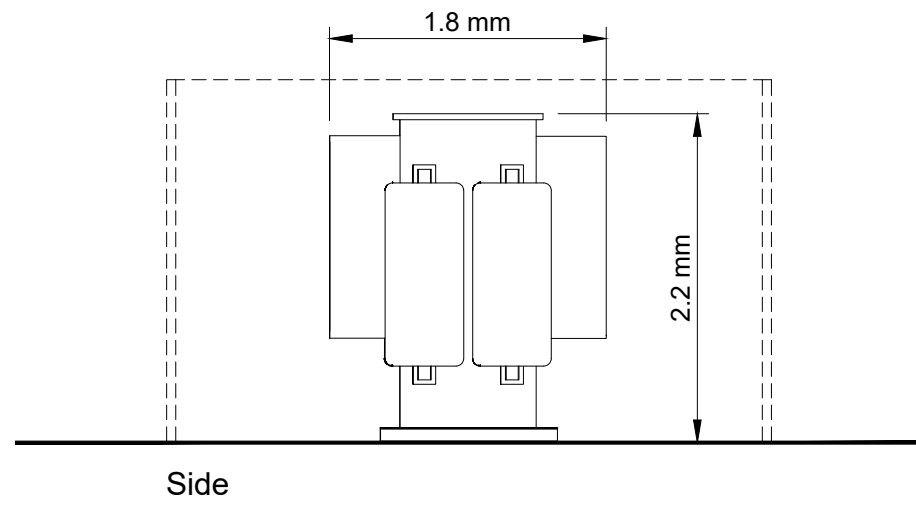


This drawing is the copyright of AXIS P.E.D Limited and may not be loaned, copied or reproduced in any way -or used for any offer, quote, tender or construction purposes without written consent of the company to do so  
 Follow any figured dimensions - do not scale for construction purposes. IF IN DOUBT ASK.

• Revision History • Date



Chester Office: Well House Farm Brimston Chester CH4 8DH	South Manchester Office: Canalside House 74 Water Lane Wilmslow SK9 5BB	<b>axis</b> 0844 8700 007 - www.axisped.co.uk
client: PELAGIC ENERGY		
project: MONK FRYSTON BATTERY STORAGE		
drawing title: AUXILLIARY TRANSFORMER COMPOUND		
date: May 2021	drawn by: SM	checked: PR
drawing number: 2655-02-009		status:
scale(s): 1:50@A3		rev:
planning environment design		