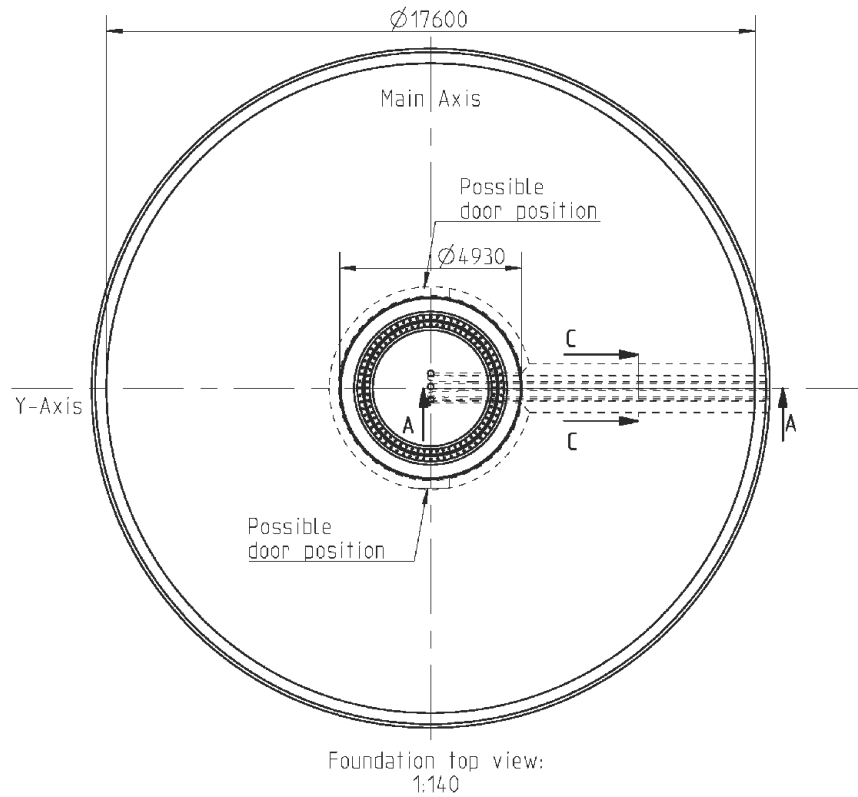
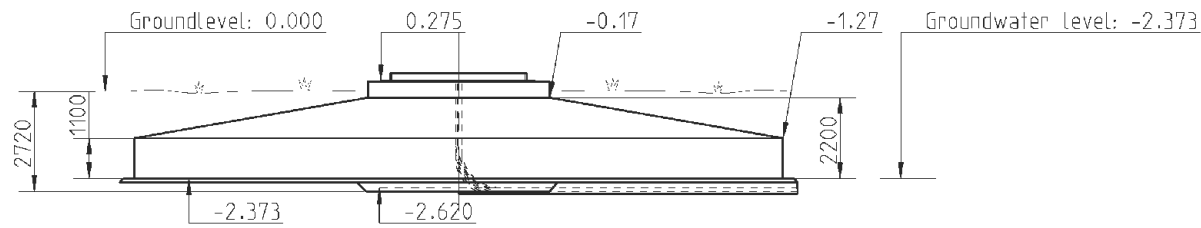


Mynydd y Gwynt Proposed Wind Farm

Typical Turbine Foundation Plan and Cross Section

Figure 6.4



Depth of excavation will vary depending on ground condition and existing profile.

Drawn by Andy Frost 07/03/2012 Nisha Rehm 07/03/2012

Not to Scale