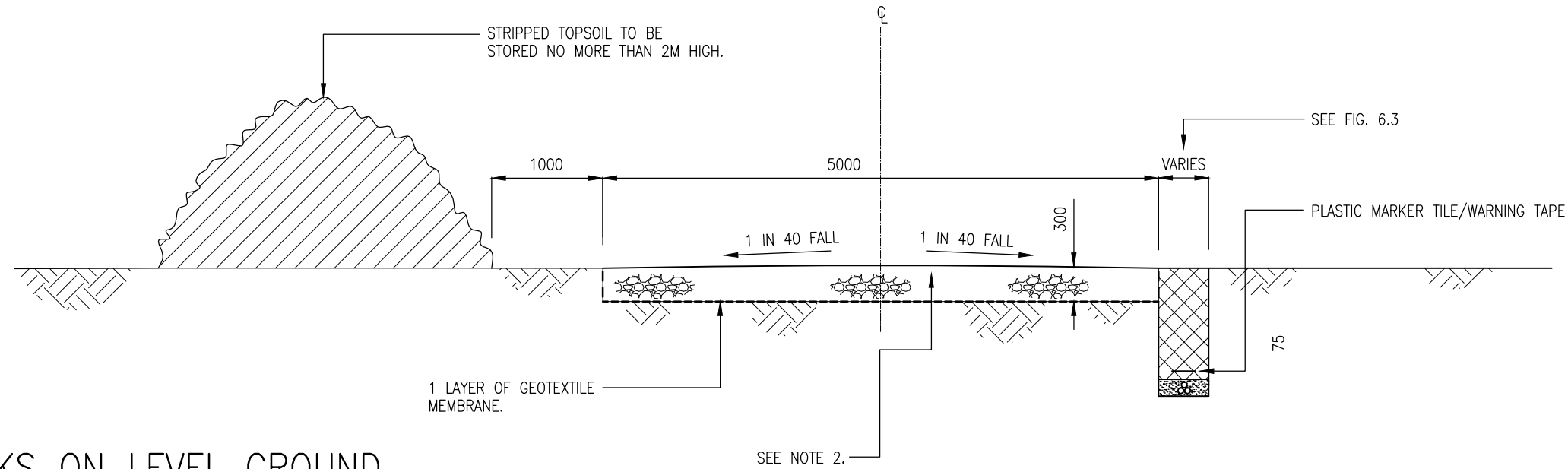
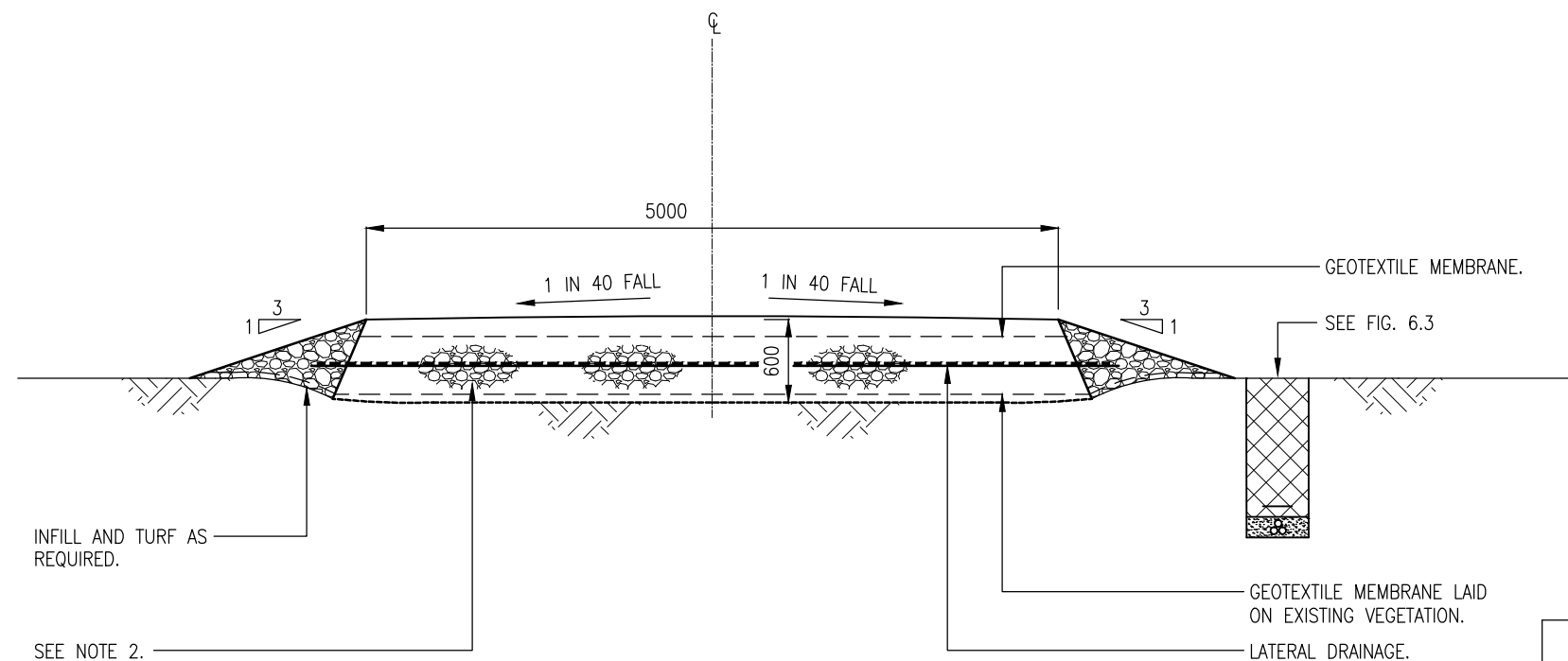


NOTES

1. ALL DIMENSIONS IN MILLIMETRES.
2. TRACK TO CONSIST OF 275mm/575mm (AS APPROPRIATE) OF SELECTED MATERIAL WITH 25mm STONE DUST CAPPING LAYER.  
CROSSFALL OR CAMBER TO BE USED AS APPROPRIATE, NOT EXCEEDING 1 IN 40.



TRACKS ON LEVEL GROUND  
FREE DRAINING SOILS



TRACKS ON POORLY  
DRAINED SOILS

**FIGURE 6.2**

REV.	DATE.	DESCRIPTION
B	23.02.12	MINOR MODS.
A	01.10.08	NOTES/TITLES ADDED.

Client  
Mynydd y Gwynt Ltd

Project  
Mynydd y Gwynt  
PROPOSED WINDFARM

Title  
TYPICAL SECTIONS THROUGH ACCESS  
TRACKS

**Magna Project Services**  
Project Management Consultants  
Unit 1, Chew Court Farm,  
Chew Magna, Bristol, BS40 8SF  
Tel/Fax: 01275 332 957  
Email: rj.magnaps@btinternet.com



Date	DEC 2005	Drawn by	CATS/CAD
Scale	1:50 @ A3	Checked by	R.J.
Drawing No.	MPS/117/02	Rev.	B